



OD SERIES DOUBLE SHAFT SHREDDERS

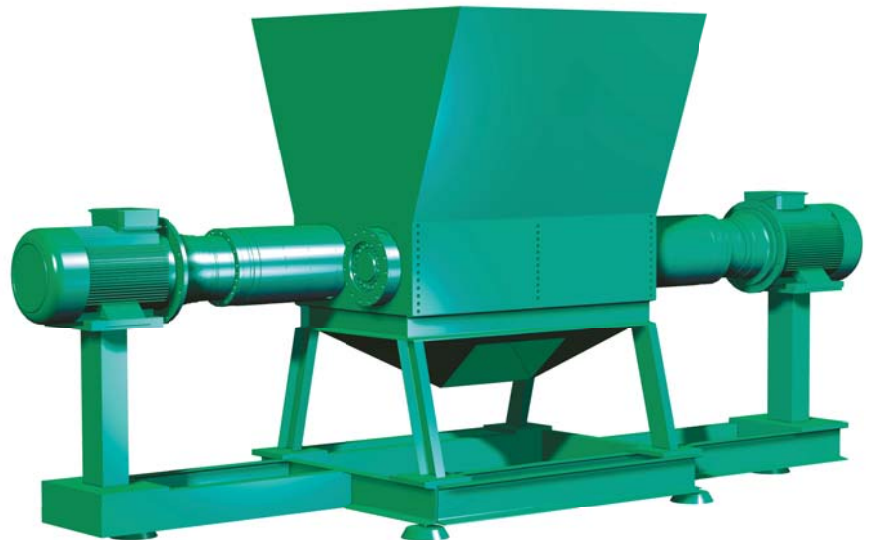
OPTIMA OD series dual shaft shredders are ideal for shredding all kinds of paper, cardboard packaging, cardboard tubes, hard drives, electronics, CD's & DVD's, industrial waste, medical waste, hazardous waste, radioactive materials, organics, tires, steel drums and etc. Standard OPTIMA OD series dual shaft shredders are driven by hydraulic power unit with planetary reducers (direct electric motor drive is optional). The thickness of the cutting disks are between 15,3 mm and 60 mm which can be changed according to the required output sizes and waste types. Throughput sizes can be adjustable by changeable screens.

Design Benefits

- High torque, low speed design for efficient shredding
- Cutter disc design for maximum use life
- Bulk feed capacity
- Heavy duty high torque bearing, running in oil bath
- Variable speed optimization for low energy consumption
- Special cutter disk design for high efficiency & useful life
- Cleaning fingers keep shredded material from clogging the cutting chamber.

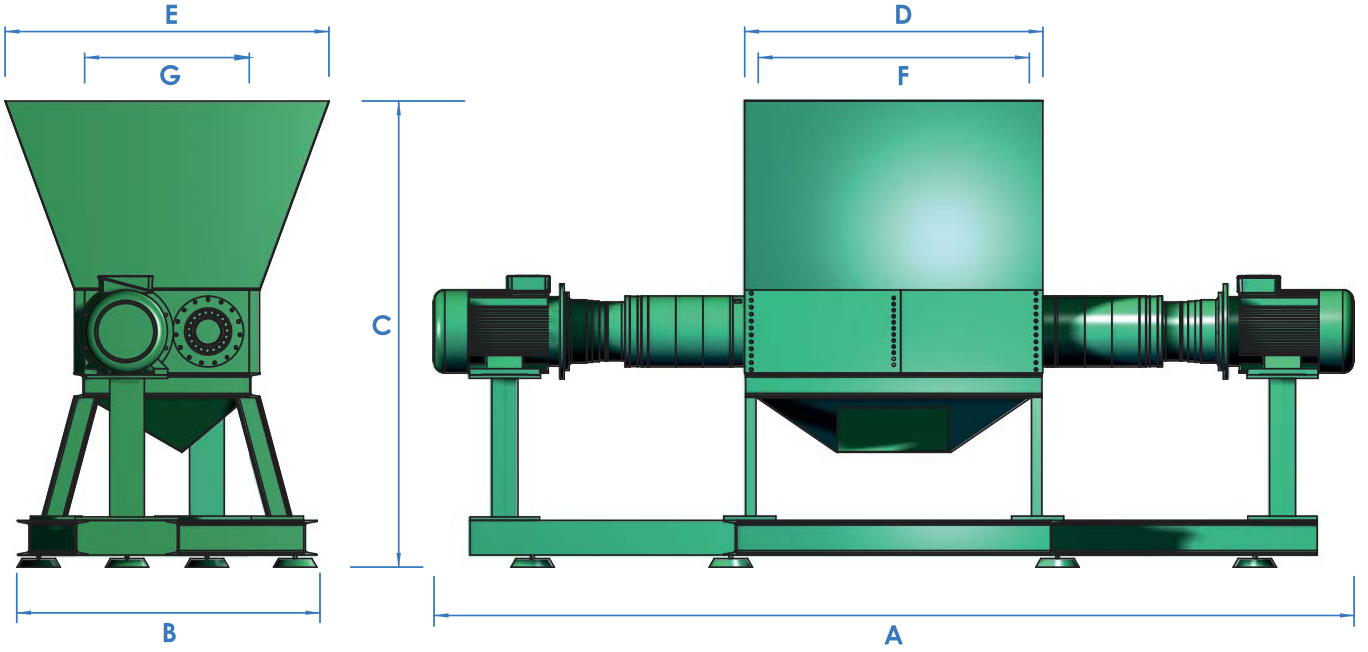
Applications

- Industrial waste,
- Wood,
- All kinds of paper, cardboard packaging, cardboard tubes,
- Tires,
- Plastics,
- Hard drives, electronics, CD's & DVD's,
- Medical waste, hazardous waste, radioactive materials, organics, paper fibers,
- Steel drums,
- Packaging material,
- Balled and pressed waste and more...



OD SERIES DOUBLE SHAFTS SHREDDER

TECHNICAL SPECIFICATIONS		OD-44	OD-60P	OD-60PL	OD-60PT	OD-110	OD-150	OP-110
Driving Power	<i>kW</i>	2 x 22	2 x 30	2 x 30	2 x 30	2 x 55	2 x 75	2 x 55
Ram Feeder Power	<i>kW</i>	-	-	5	-	-	-	-
Number of Cutting Blades		30	26	30	30	30	24	22
Cutting Blades Thickness	<i>mm</i>	23	15,3	23	50	50	60	50
Shaft Diameter	<i>mm</i>	130	130	115	160	200	160	180
Cutting Chamber	<i>mm</i>	505 x 877	607 x 512	838 x 581	875 x 1350	950 x 1550	1020 x 1681	950 x 1564
Hopper Opening	<i>mm</i>	1325 x 1800	1225 x 1285	1000 x 1280	Ø2500/w1350	2300 x 2850	1770 x 2700	1868 x 1720
Shaft Speed	<i>rpm</i>	30	30	30	30	25	30	25
Perforated Screen	<i>mm</i>	15 - 30	5 - 25	15 - 60	20-50	-	30 - 60	-



	OD-44	OD-60P	OD-60PL	OD-60PT	OD-110	OD-150	OP-110
A	3600	1900	2900	4800	3800	2882	5300
B	1325	1285	1750	2500	2300	2100	1868
C	2425	2000	2410	3380	2650	2970	2690
D	1800	1225	1000	-	2850	2700	1720
E	1325	1285	1280	-	2300	1770	1868
F	877	607	762	1350	1550	1681	1564
G	505	512	506	800	950	1020	950