



OS SERIES SINGLE SHAFT SHREDDERS

OPTIMA OS series industrial single shaft shredders are ideal for bulky waste or industrial and household waste into small pieces. Shredded household waste can be used for secondary fuel. Depending on market requirements, the shredded material, whose size is defined by the changeable screen size, can be used directly or can pass to the next stage of size reduction.

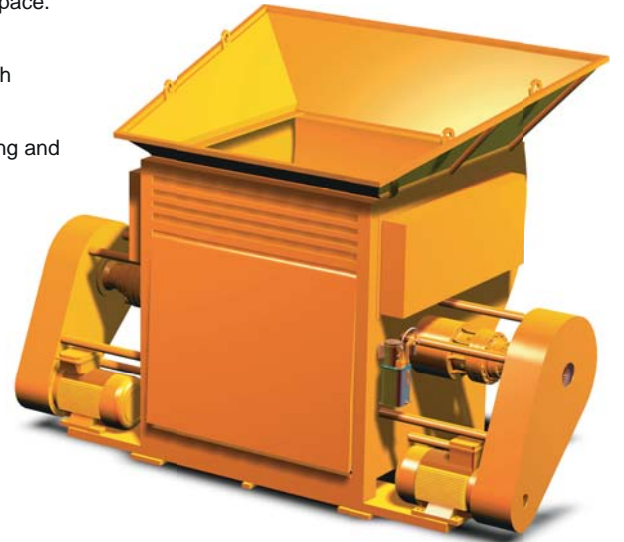
Product range of OS series single shaft shredders are equipped with motor powers between 22 kW and 320 kW.

Applications

- Material recovery facilities,
- Construction and demolition (C&D) recycling facilities,
- Paper mills,
- Waste-to-energy plants,
- Organic waste,
- Cement kilns,
- and more...

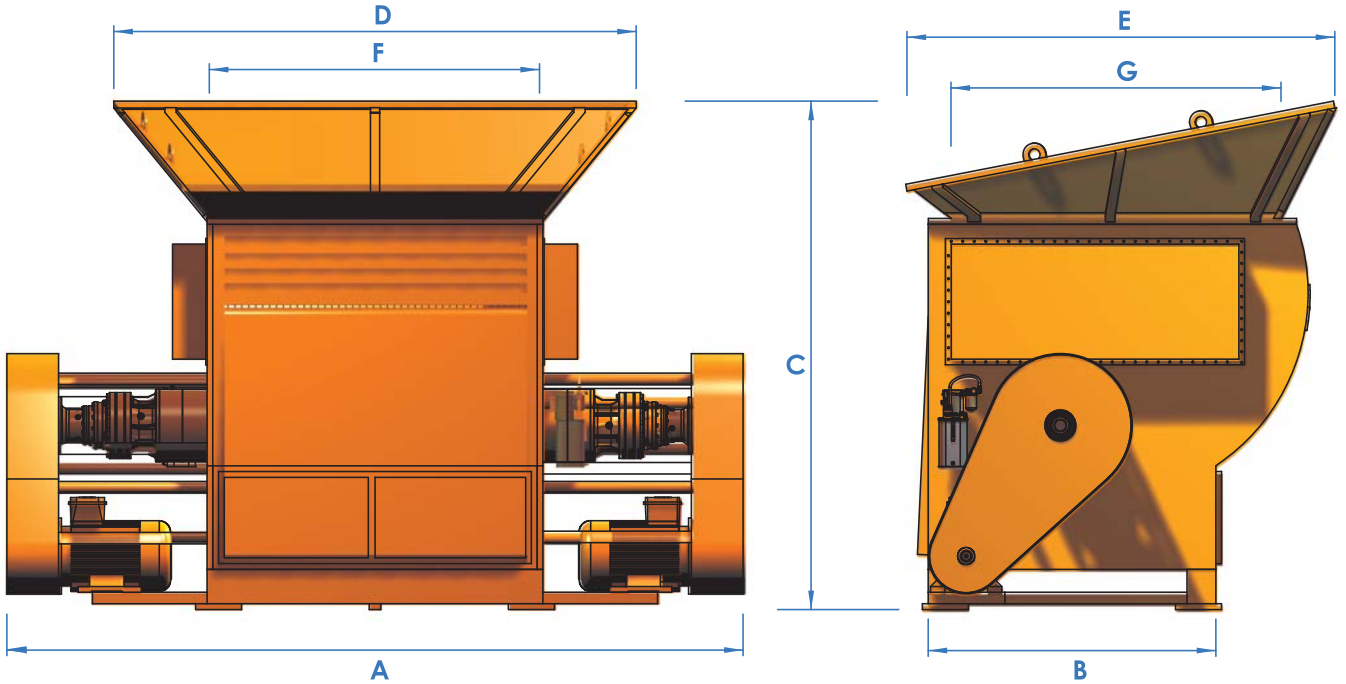
Design Benefits

- OPTIMA single shaft shredders have a wide product range between 22 kW and 320 kW.
- OPTIMA OS series single shaft shredders have heavy duty drive units.
- An insert can be used four times to reduce shredding costs.
- Automatic integrated lubrication system.
- Frequency converter for adjustable rotor speed.
- The hydraulic power pack is well integrated into the machine housing to save space. It is still very easy to access or remove the housing for maintenance.
- Simple remote control (simple menu navigation) panel with integrated 7.5" touch screen and high resolution colour display.
- Hydraulic ram which presses the waste against the rotor prevents bridge building and ensures reliable treatment of bulky waste.



OS SERIES SINGLE SHAFT SHREDDERS

TECHNICAL SPECIFICATIONS		OS-22	OS-150	OS-260	OS-320
Hydraulic Motor Power	<i>kW</i>	22	2x75	2x132	2x160
Ram Feeder Power	<i>kW</i>	5	11	-	15
Indexable inserts		39	39	63	54
Inserts Dimensions	<i>mm</i>	50 x 50	104 x 104	104 x 104	125 x 125
Rotor Diameter	<i>mm</i>	260	600	850	1100
Cutting Chamber	<i>mm</i>	250 x 1110	1400 x 1000	1200 x 2200	2820 x 1300
Hopper Opening	<i>mm</i>	1500 x 1110	2500 x 3500	2300 x 2200	4400 x 4050
Rotor Speed	<i>rpm</i>	40-60	120	40-50	30
Throughput capacity	<i>kg/h</i>	< 4m ³	< 7000kg	< 22000kg	< 60000kg



	OS-22	OS-150	OS-260	OS-320
A	1610	3000	3260	6420
B	1500	3700	2950	4000
C	1810	3250	3580	4450
D	1110	3000	2200	4400
E	1500	3700	2300	4000
F	250	1400	2200	2820
G	1100	1000	1200	1300