



OQ SERIES FOUR SHAFT SHREDDERS

OPTIMA OQ series quad shaft shredders are designed for heavy-duty size reduction applications that require uniform particle sizes.

OPTIMA OQ series quad shaft shredders are useful to control the output sizes with changeable type special screen design and size.

OQ series quad shaft shredders are driven by hydraulic power unit with planetary reducers (direct electrical motor driver optional).

OPTIMA OQ series quad shaft shredders have soft start at full torque while it reducing power demands and extends the life of the motor.

The unit is controlled by a PLC and automatically reduces shaft torques when not processing by its integrated software and sensors.

Design Benefits

- High torque, low speed design for efficient shredding
- Bulk feed capacity
- Special cutter disk design for all types material
- Automatic lubrication system to reduce the wear of bearing and gear unit
- Heavy duty gear box
- Uniform final particle size by changeable screens
- Auto reversal feature
- OQ series four shaft shredders can be fed by conveyor belt (optional), garbage lifting platform (optional) or manually.
- Output can be discharge by conveyor belt (optional), screw mechanism (optional) or manually.

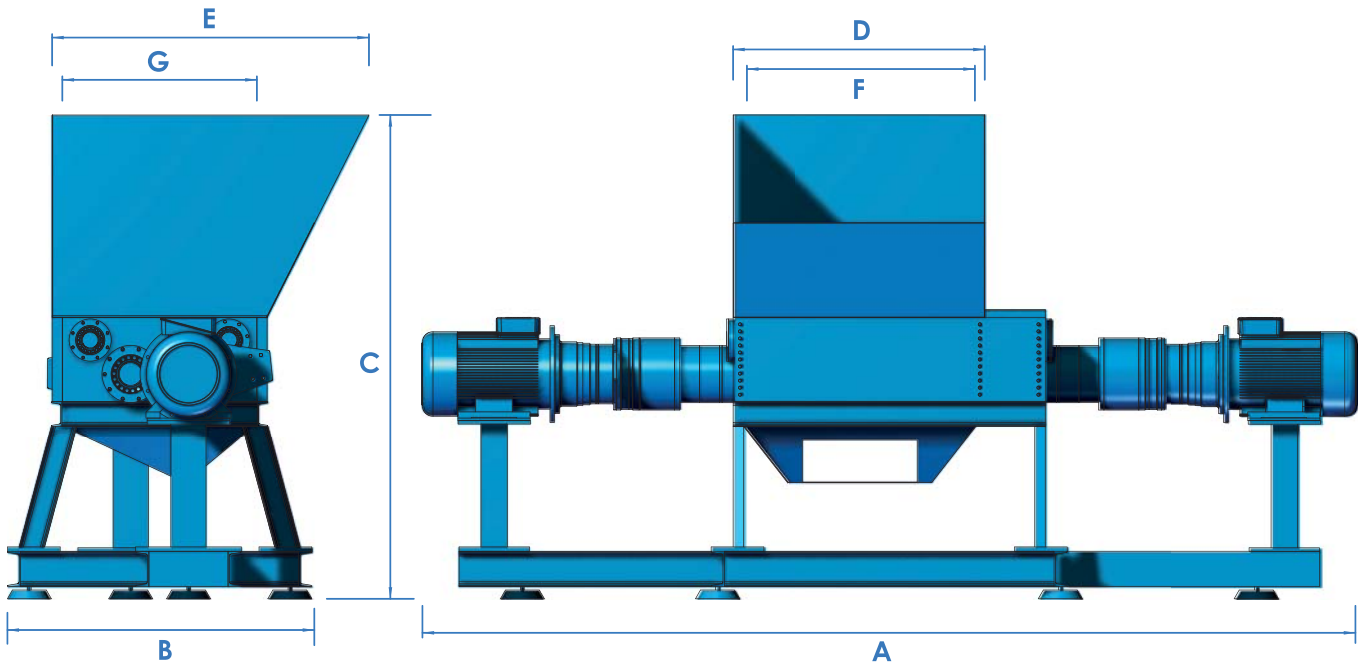
Applications

- Plastics
- Paper/Cardboard
- Wood/Pallets
- Metal Drums,
- Bulky materials
- Hazardous waste / Organic waste
- Electronic scrap
- Mixed Waste
- Tires
- Textiles
- Aluminum
- and more...



OQ SERIES QUAD SHAFT SHREDDERS

TECHNICAL SPECIFICATIONS		OQ-15	OQ-30	OQ-44	OQ-60	OQ-110	OQ-150	OQ-630
Driving Power	<i>kW</i>	2 x 7.5	2 x 15	2 x 22	2 x 30	2 x 55	2 x 75	2 x 315
Ram Feeder Power	<i>kW</i>	-	-	-	5	-	-	-
Number of Blades		52	52	52	52	66	66	80
Blades Thickness	<i>mm</i>	23	50	35	23	35	50	50
Shaft Diameter	<i>mm</i>	130	130	130	130	190	195	250
Cutting Chamber	<i>mm</i>	905 x 672	1440 x 1100	985 x 940	905 x 672	1105 x 1300	1500 x 1732	2420 x 2100
Hopper Opening	<i>mm</i>	2150 x 1500	2350 x 2150	1360 x 1600	2080 x 750	1800 x 1430	2290 x 2732	3600 x 2718
Shaft Speed	<i>rpm</i>	23	25-30	25-30	25-30	25-30	20-35	23
Throughput Capacity	<i>kg/h</i>	<i>depending on material composition and diameter of screen holes</i>						
Perforated Screen	<i>mm</i>	15-40	30-50	25-50	15-30	15-50	15-50	50-200



	OQ-15	OQ-30	OQ-44	OQ-60	OQ-110	OQ-150	OQ-630
A	2150	3200	3100	4250	5300	5550	6900
B	2150	2750	1900	2700	2050	4000	5200
C	2150	3240	2360	2700	2750	4550	5250
D	1500	2150	1400	2400	1430	2750	2700
E	2150	2350	1590	750	1800	2300	3600
F	672	1050	985	980	1300	1732	2098
G	905	1440	940	750	1105	1500	2420